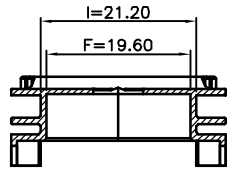
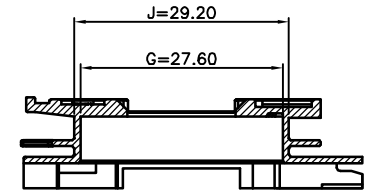
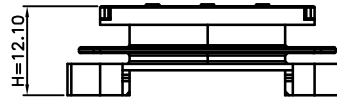
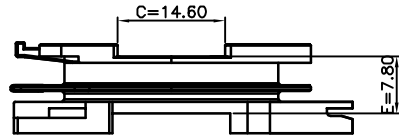
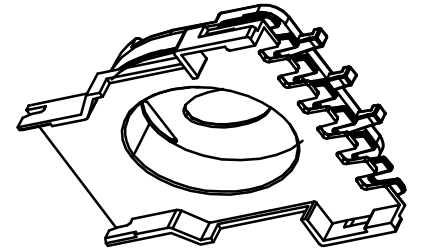
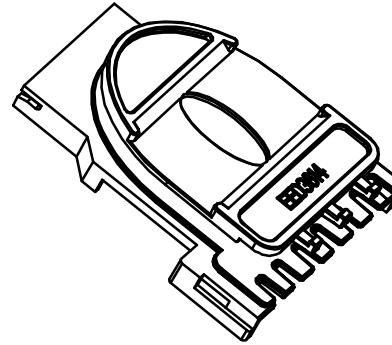
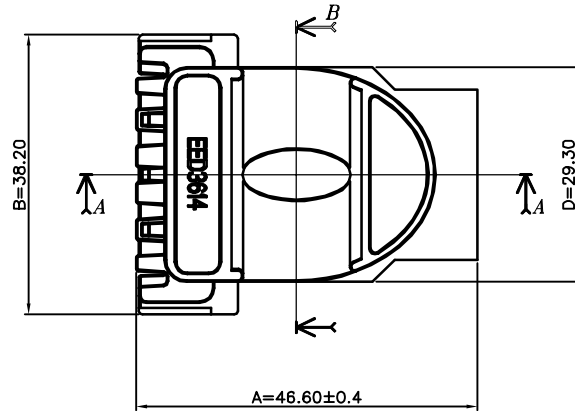


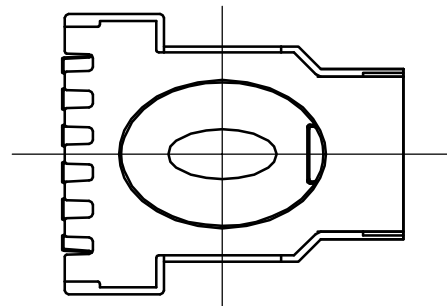
TOLERANCE	
0<L≤16	±0.2
16<L≤50	±0.3
50<L≤63	±0.4
63<L≤75	±0.5
75<L≤100	±0.7



SECTION B-B



SECTION A-A



MARK			REVISION NOTE	DATE	DRAWN	CHECKED	APPROVED
△							
△							
△							
DRAWN	CHECKED	APPROVED	MATERIAL : PET	UL REC. : UL94V-0	THIRD ANGLE PROJ.	SCALE : 1/1	
h.j. shin	KM, Seo	C, Park		DATE : 2014.07.16	PIN TENSILE FORCE :	UNIT : m/m	
주식회사 대흥보빈 DAE HEUNG BOBBIN CO., LTD			TITLE EED 36*14 "V" (11P) CAP		DWG NO DH-150625-2096-01		